

GSP

Granulators for Pipes and Profiles



ZERMA



ZERMA

Granulators for Pipes and Profiles: GSP range



Conventional Granulators have substantial problems to handle long pipes and profiles. To feed large and bulky materials, in most cases cavities or platforms are needed.

Therefore, ZERMA developed the GSP range. Thanks to the almost level feed hopper, long pieces can be feeded easily. As the machine is able to dose automatically, there is no risk of blocking. In case of congestion, no more material will be accepted since work can go on without any problems.

The GSP range is based on the ZERMA GS range and therefore on the latest machine concepts which have been perfected throughout the years and leaves nothing lacking.

The machines, which are of a robust welded steel construction, are suitable to meet the most demanding applications.

Depending on the required application, there is a whole range of rotor options.

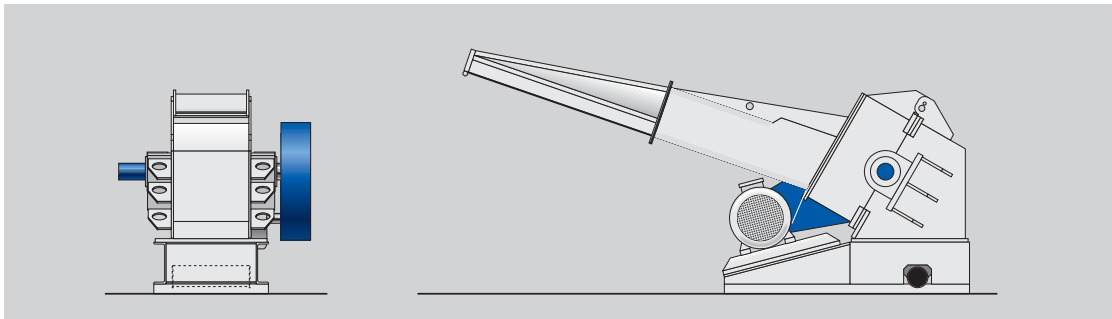


Benefits:

- ergonomical feeding
- superior cutting action
- simple knife setting
- well thought-out housing design
- robust bearing assembly
- high operational reliability

Models in the GSP range:

GSP 600/500, GSP 560/700



Zerma Machinery & Recycling Technology (Shanghai) Co., Ltd · 5 Xinjie Rd XinQiao, Township Ind. Park, Songjiang Shanghai, Zip: 201612, China
Phone: +86 21 57645573 · Fax: +86 21 57646766 · info@zerma.com · www.zerma.com
To contact your nearest sales office, please visit our website www.zerma.com.

Subject to technical modifications. Version 07/02. 1.0