

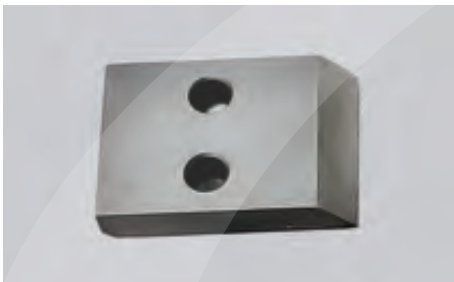
ZERMA

THE HOME OF SIZE REDUCTION

Shredders // **Granulators** // Pulverizers //
Accessories

GSL // GSE // GSC // GSH // GSP // ZHM

GSL 200 BESIDE THE PRESS GRANULATOR



The curvature of the specially profiled rotor knives ensures a constant cutting radius after re-sharpening thus maintaining the original cutting gap. Awkward knife adjustment is no longer necessary.



The staggered rotor design creates an individual blade cut. The aggressive open rotor of the 200 series GSL makes it well suited for bigger volume parts such as bottles.



The quick snap system makes access to the cutting chamber, suction trough and screen area fast and easy. The hinged screen holder simplifies screen installation.

GENERAL DESCRIPTION

The slow speed granulators in the GSL 200 range feature a staggered 200 mm diameter rotor with widths ranging from 180 to 500 mm. The rotor is directly driven by a geared motor. The low rotor speed reduces the noise level of the machine and creates less dust while grinding. The special design knives of the GSL series can be sharpened easily and do not need adjustment afterwards. The material is fed via a sound absorbing feed hopper that can be tailored to fit various applications and feeding ways. Depending on the requirements the machines can be fitted with a wide variety of hoppers, they are mounted on either low or high level base frames with matching suction bins or bag filling adapters. Quick snap fasteners and hand screws make access to the machine for cleaning and maintenance fast and easy.

APPLICATIONS

The GSL slow speed granulators of the 180 series are mainly used in injection and blow molding processes as beside the press machines to grind runners and sprues. The resulting granules are then immediately reintroduced into the production process. The GSL 200 series machines are more aggressive than the smaller 180 series and thus better suited for larger thin walled parts. The machines can be used for rejected products in the inline recycling process as well. Different hopper and base frame designs make it possible to integrate the machine with most types of injection molding machines and robots.

ADVANTAGES

- **Direct driven staggered rotor**
- **Special knife design makes adjustment unnecessary**
- **Easy access for maintenance and cleaning**
- **Slow rotor speed creates less noise and dust**
- **Easily customizable to suit different applications**

ENGLISH

PLASTIC SIZE REDUCTION
RUBBER SIZE REDUCTION
WOOD SIZE REDUCTION
E-WASTE SIZE REDUCTION



ZERMA

GSL BESIDE THE PRESS GRANULATOR



PLASTIC
SIZE
REDUCTION

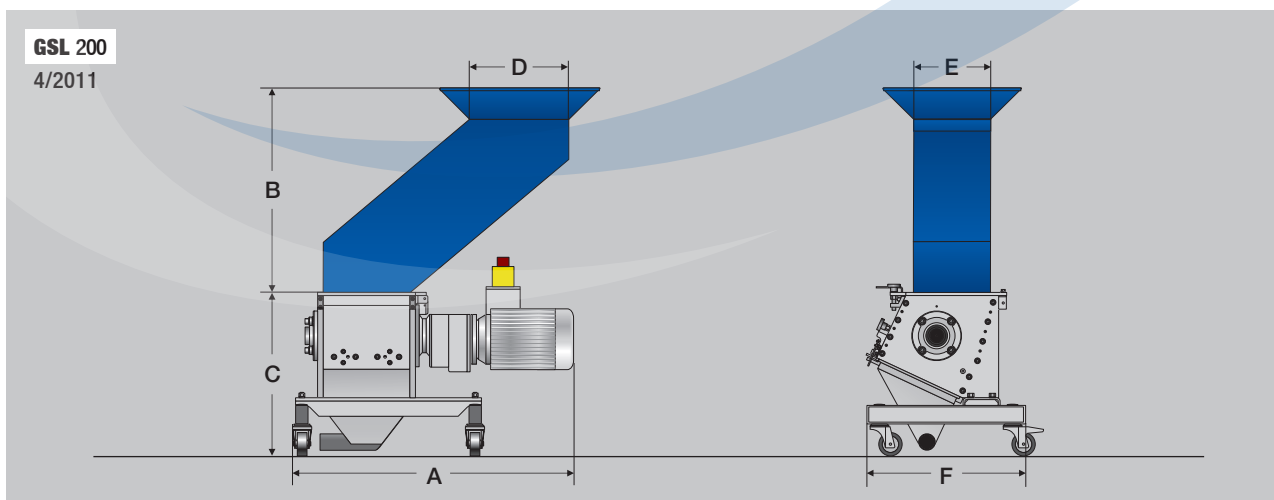
ZERMA. THE
HOME OF SIZE
REDUCTION



SPECIFICATIONS

Type GSL	200/180	200/270	200/360	200/500
Rotor diameter (mm)	200	200	200	200
Rotor width (mm)	180	270	360	500
Rotor speed (rpm)	150	150	150	150
Drive capacity (kW)	3	3	4	4
Rotor knives (pcs)	12	18	24	33
Stator blades (rows)	2	2	2	2
Screen size (mm)	>5	>5	>5	>5
A (mm)	985	1110	1255	1415
B (mm)	740	770	815	835
C (mm)	520	520	520	520
D (mm)	230	310	470	545
E (mm)	245	245	245	245
F (mm)	510	510	510	510

DIMENSIONS



5 Xinjie Rd XinQiao Township Ind. Park, Songjiang Shanghai,
Zip: 201612, China
PHONE : +86 21 57645573 FAX : +86 21 57646766
E-MAIL : INFO@ZERMA.COM

ZERMA MACHINERY & RECYCLING TECHNOLOGY CO. LTD.
SHANGHAI CHINA

WWW.ZERMA.COM

Subject to technical modification