

# ZERMA

## THE HOME OF SIZE REDUCTION

Shredders // **Granulators** // Pulverizers //  
Accessories

GSL // GSE // **GSC** // GSH // GSP // ZHM



## GSC 500

### COMPACT SOUNDPROOFED GRANULATOR



Rotor and stator knives are pre-set outside the machine prior to installation in a supplied fixture. This makes awkward adjustment inside the machine unnecessary.



To ensure a safe operation and quick and easy access for cleaning and maintenance the GSC 500 machines cutting chamber is opened hydraulically.



To minimize the needed floor space and make the machine easy to move the control cabinet is integrated into the machines soundproof housing.

## GENERAL DESCRIPTION

The GSC compact/sound proof granulators are designed with a complete sound proof enclosure resulting in an extremely quiet operation. Different rotor designs are available in widths ranging from 500 mm to 1400 mm with a diameter of 500 mm. The completely welded cutting chamber in conjunction with the "V" type rotor design ensures dependability in operation and universal application use. While it delivers excellent sound proofing capabilities, it still offers easy and quick access to the cutting chamber during rotor and stator knife changes, servicing or screen changes. The sound dampening material used in these machines is based on the latest technological research.

## APPLICATIONS

The cutting geometry of the GSC series allows even voluminous materials to be ground. The complete GSC series line achieves a high quality regrind independent of the material type or form such as injection moulded parts, blow moulded parts, profiles, sheets, film, etc. The 500 series GSC machines are mainly used in inline operations or small central granulators for processing of medium sized hollow thin walled products, or runners and sprues. The integrated sound proofing makes it possible to easily place the machine in existing operations. With different rotor designs and a wide variety of options the machines can be tailored for many different applications.

## ADVANTAGES

- **Knives are adjusted outside of the machine**
- **Compact design**
- **Different rotor types available**
- **Soundproofed housing**
- **Aggressive tangential infeed**

ENGLISH

PLASTIC SIZE REDUCTION  
RUBBER SIZE REDUCTION  
WOOD SIZE REDUCTION  
E-WASTE SIZE REDUCTION



**ZERMA**

# GSC COMPACT SOUND- PROOFED GRANULATOR



PLASTIC  
SIZE  
REDUCTION

WOOD  
SIZE  
REDUCTION

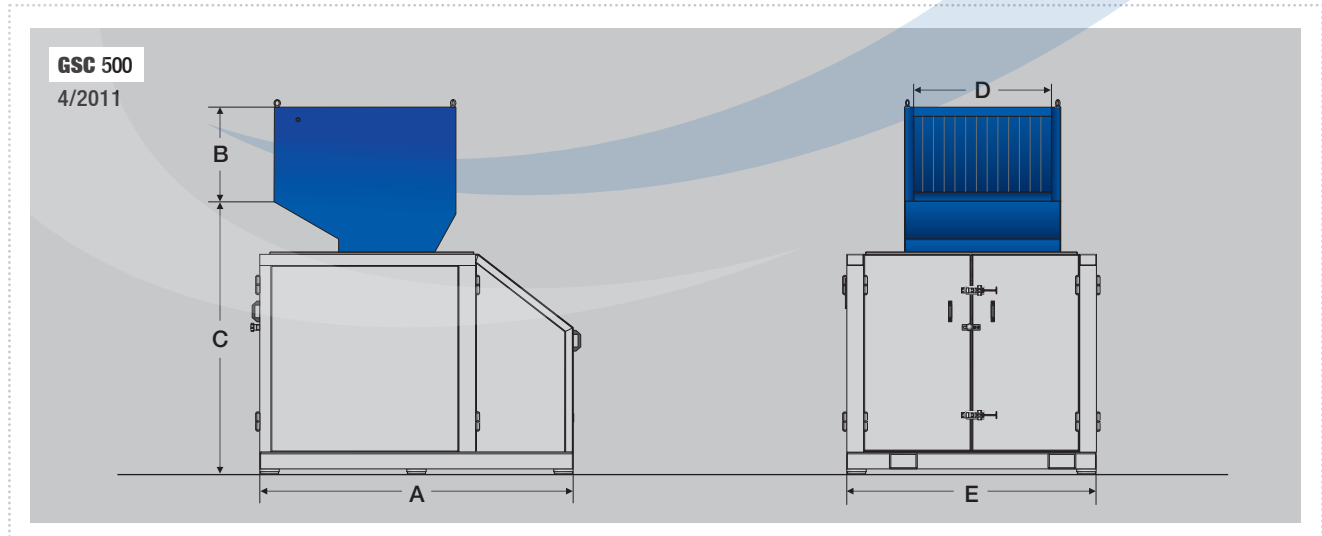
ZERMA. THE  
HOME OF SIZE  
REDUCTION



## SPECIFICATIONS

Type GSC	500/500	500/700	500/1000	500/1400
Rotor diameter (mm)	500	500	500	500
Rotor width (mm)	500	700	1000	1400
Drive capacity (kW)	30	37	45	45
Rotor knives (rows)	3 or 5	3 or 5	3 or 5	3 or 5
Stator blades (rows)	2	2	2	2
Screen size (mm)	>6	>6	>6	>6
Effective working area (mm)	560 x 500	560 x 700	560 x 990	560 x 1400
A (mm)	2010	2010	2410	2410
B (mm)	600	600	540	540
C (mm)	1795	1795	2025	2040
D (mm)	500	700	990	1400
E (mm)	1380	1580	1880	2210

## DIMENSIONS



5 Xinjie Rd XinQiao Township Ind. Park, Songjiang Shanghai,  
Zip: 201612, China  
PHONE: +86 21 57645573 FAX: +86 21 57646766  
E-MAIL: [INFO@ZERMA.COM](mailto:INFO@ZERMA.COM)

**ZERMA MACHINERY & RECYCLING TECHNOLOGY CO. LTD.**  
SHANGHAI CHINA

[WWW.ZERMA.COM](http://WWW.ZERMA.COM)