

ZERMA

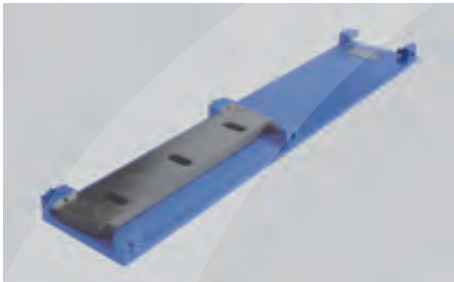
THE HOME OF SIZE REDUCTION

Shredders // **Granulators** // Pulverizers //
Accessories

GSL // **GSE** // GSC // GSH // GSP // ZHM

GSE 700

ECONOMICAL GRANULATOR



Rotor and stator knives are pre-set outside the machine prior to installation in a supplied fixture. This makes awkward adjustment inside the machine unnecessary.



The GSE granulators are available with different rotor options to fit different applications, all rotors feature the V-cut technology creating a high quality regrind.



The redesigned base of the GSE 700 series makes the machine very sturdy, while maintaining the easy accessibility for maintenance and cleaning.

GENERAL DESCRIPTION

For the GSE 700 series different rotor designs are available in widths ranging from 700 mm to 1400 mm with a diameter of 700 mm. The completely welded cutting chamber in conjunction with the "V" type rotor design ensures dependability in operation and universal application use. The housing design offers easy and quick access to the cutting chamber during rotor and stator knife changes, servicing or screen changes.

APPLICATIONS

The GSE series of machines are designed as economical granulators for use as central granulator in house recycling. The cutting geometry of the GSE 700 series allows even voluminous materials to be ground. The complete GSE series line achieves a high quality regrind independent of the material type or form such as injection moulded parts, blow moulded parts, profiles, sheets, film, etc.

ADVANTAGES

- **Knives are adjusted outside of the machine**
- **Mobile Compact design**
- **Different rotor types available**
- **Easy accessibility**
- **Aggressive tangential infeed**

ENGLISH

PLASTIC SIZE REDUCTION
RUBBER SIZE REDUCTION
WOOD SIZE REDUCTION
E-WASTE SIZE REDUCTION



ZERMA

GSE

ECONOMICAL GRANULATOR



ZERMA. THE
HOME OF SIZE
REDUCTION



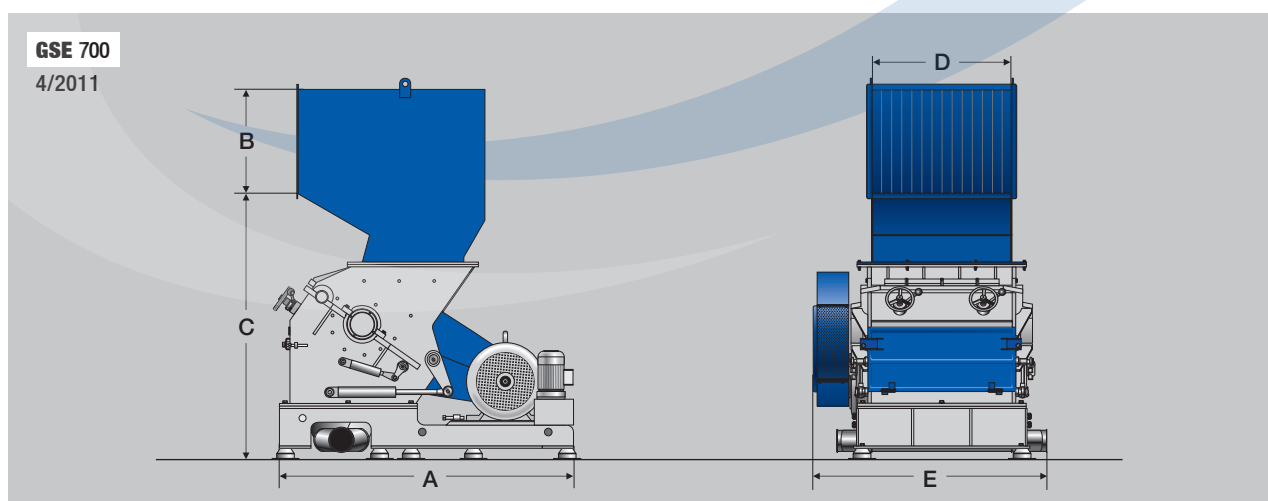
PLASTIC
SIZE
REDUCTION

WOOD
SIZE
REDUCTION

SPECIFICATIONS

Type GSE	700/700	700/1000	700/1400
Rotor diameter (mm)	500	700	700
Rotor width (mm)	700	1000	1400
Drive capacity (kW)	45	55	55
Rotor knives (rows)	5	5	5
Stator blades (rows)	2	2	2
Screen size (mm)	>6	>6	>6
Effective working area (mm)	720 x 700	720 x 990	720 x 1400
A (mm)	2205	2205	2205
B (mm)	740	740	740
C (mm)	1900	1900	2000
D (mm)	700	990	1400
E (mm)	1325	1665	2000

DIMENSIONS



5 Xinjie Rd XinQiao Township Ind. Park, Songjiang Shanghai,
Zip: 201612, China
PHONE : +86 21 57645573 FAX : +86 21 57646766
E-MAIL : INFO@ZERMA.COM

ZERMA MACHINERY & RECYCLING TECHNOLOGY CO. LTD.
SHANGHAI CHINA

WWW.ZERMA.COM