

ZHS

Horizontal Shredder

- Large feeding hopper
- Robust welded steel construction
- Low speed operation
- Advanced rotor / knife mounting system



The large feeding hopper allows the machine to be used for a variety of materials.



The machines are equipped with large 600mm diameter rotors featuring ZERMA proven knife fixing system allowing for easy changing and rotating of rotor knives.



The heavy duty hydraulic system allows processing of a variety of materials. The angled hydraulic pusher uses roller guides to avoid blocking and excessive wear.

General Description

The ZHS horizontal shredders are single shaft shredders featuring an angled hydraulic ram suitable for a wide range of material shapes and sizes. The ZHS shredders are equipped with a 600 mm diameter E style rotor and knife fixing system. The roller guided hydraulic ram makes feeding of large heavy walled materials possible without the risk of jams, blocking or excessive wear on guide rails. Like all ZERMA shredders the ZHS series can be tailored to individual requirements, this includes different drive powers, knife configurations as well as discharge options.

Applications

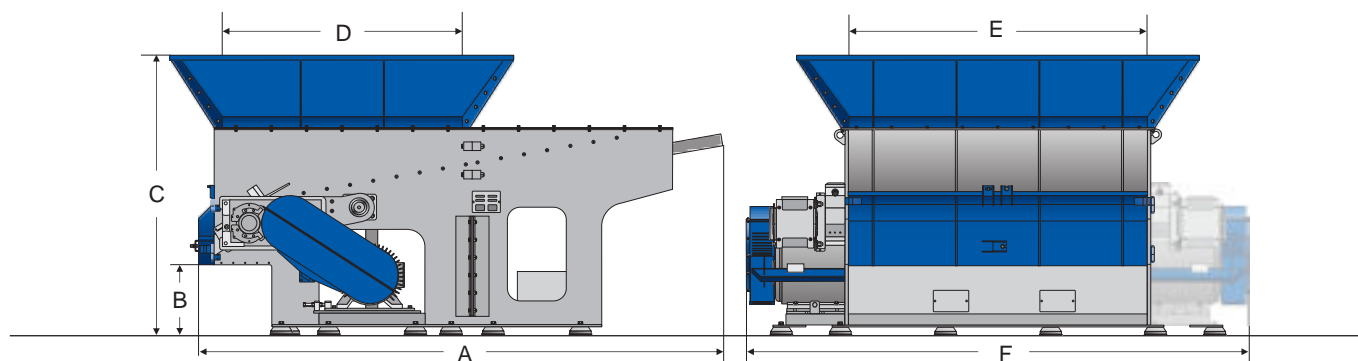
The ZHS series of single shaft shredders are designed to process large volume heavier materials such as purges, pipe segments and heavy bales. The machines have been engineered for strength and reliability in daily operation. These shredders can easily be integrated into complete lines with other ZERMA products and accessories such as belts, granulators, etc.



The Home of Size Reduction

ZHS

Horizontal Shredder



Technical Specifications and Dimensions

Model

Rotor diameter (mm)
 Rotor width (mm)
 Rotor speed (rpm)
 Drive capacity (kW)
 Rotor knives(pcs)(34 x 34)
 Rotor knives (pcs)(50 x 50)
 Stator blades (pcs)
 Ram feeder drive (kW)
 Cutting chamber volume (m³)
 Effective working area (mm)

1500

600
 1400
 approx. 70
 90/110
 68/102
 38/57
 1 x 5
 5.6
 1.4
 1320 x 1340

2000

600
 1960
 approx. 70
 110/2 x 90
 96/144
 54/81
 1 x 7
 5.6
 2
 1880 x 1500

2600

600
 2520
 approx. 70
 2 x 90
 124/186
 70/105
 1 x 9
 5.6
 2.6
 2440 x 1500

A (mm)
 B (mm)
 C (mm)
 D (mm)
 E (mm)
 F (mm)

4420
 696
 2706
 2036
 1420
 2630

4648
 696
 2726
 2200
 1980
 3868

4648
 696
 2726
 2200
 2540
 4424

ZERMA MACHINERY & RECYCLING TECHNOLOGY CO. LTD.

5 Xinjie Rd Xinqiao Township Ind. Park

Songjiang · Shanghai · China

Phone : +86 21 57645573 · info@zerma.com