

ZERMA

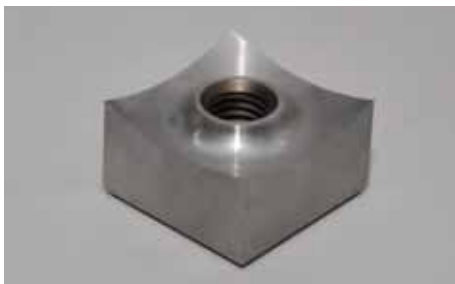
THE HOME OF SIZE REDUCTION

Shredders // Granulators // Pulverizers // Accessories

ZBS // ZIS // ZSS // **ZRS** // ZTS/ZTTS // ZWS // ZXS

ZRS

PIPE/PROFILE SHREDDER



The shredders use concave ground square knives, producing high quality output. The cutters can be turned after a side is worn out.



The ZRS shredders use very large diameter flat E-style rotors. The knives are fixed in special knife holders fitted in machined pockets.



The ZRS pipe shredders are equipped with a special feeding trough sized to take pipes of up to 6 m length. A powerful hydraulic ram forces the pipes into the rotor.

GENERAL INFORMATION

The ZRS shredder is the world's first single shaft shredder capable of handling large diameter pipes (up to 1200mm dia) without the need for pre cutting. Since their introduction they have become the per se standard for pipe shredding and are used world-wide by leading pipe manufacturers. More than 200 installations demonstrate our technological leadership in this market and our continuing innovation is based on market demands and customer feedback. Dependent on pipe diameter, the ZRS rotor diameters and widths range from 800mm up to 1500 mm. The standard hopper accepts pipe lengths of up to 6 m. The combination of advanced controls, low rotor speed and smooth hydraulics create a reliable and easy to use system.

APPLICATIONS

The main focus of the ZRS shredders is the shredding of large diameter pipes or bundles of smaller pipes and profiles made from HDPE, PP and PVC. The machines can also be used for recycling of other plastic materials such as large lumps, stacked wheelie bins and pallets etc. In combination with other ZERMA size reduction equipment such as granulators and pulverizers we are able to provide a complete turn-key recycling solution.

ADVANTAGES

- **No pre cutting of pipe lengths necessary**
- **Process pipes up to 1200 mm diameter**
- **Automatic control giving virtually risk free operation**
- **Elimination of amperage peaks**
- **High throughput rates**
- **Allows feeding of bundles or nested pipes and profiles**
- **Large diameter rotor (up to 1500 mm)**

ENGLISH

PLASTIC SIZE REDUCTION
RUBBER SIZE REDUCTION
WOOD SIZE REDUCTION
E-WASTE SIZE REDUCTION



ZRS PIPE/ PROFILE SHREDDER



ZERMA. THE
HOME OF SIZE
REDUCTION



PLASTIC
SIZE
REDUCTION

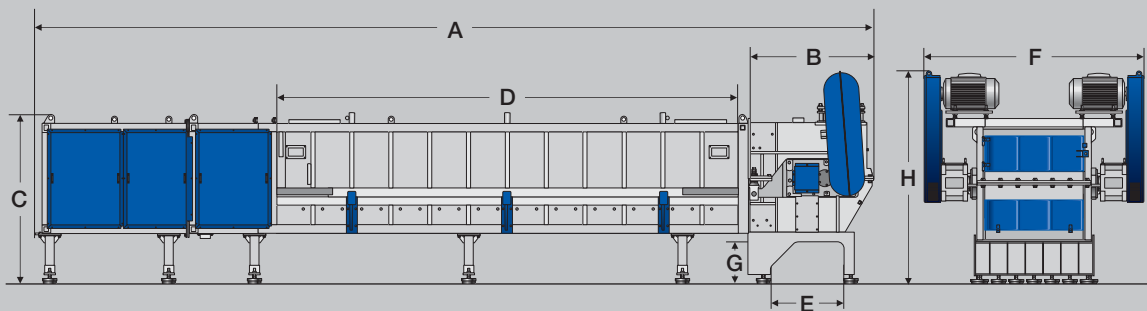
SPECIFICATIONS

| Type ZRS | 800 | 1000 | 1500 |
|---|-------------|-------------|--------------|
| Rotor diameter (mm) | 852 | 1033 | 1482 |
| Rotor width (mm) | 800 | 1000 | 1500 |
| Rotor speed (rpm) | 40 | 36 | 23 |
| Drive capacity (kW) | 2 x 37 | 2 x 45 | 2 x 55 |
| Rotor knives (pcs) | 60 | 81 | 136 |
| Stator blades (rows) | 1 or 2 | 1 or 2 | 1 or 2 |
| Ram feeder drive (kW) | 11 | 15 | 15 |
| Feeding trough volume (m ³) | 2.7 | 6.7 | 12.6 |
| Biggest pipe (mm) | 3500 x Ø630 | 6500 x Ø850 | 6500 x Ø1200 |
| Weight approx (kg) | 11000 | 16000 | 25000 |
| <hr/> | | | |
| A (mm) | 7695 | 11940 | 12180 |
| B (mm) | 1420 | 1580 | 1820 |
| C (mm) | 1830 | 1965 | 2320 |
| D (mm) | 3860 | 6720 | 6720 |
| E (mm) | 975 | 1080 | 1080 |
| F (mm) | 2545 | 2965 | 3250 |
| G (mm) | 590 | 590 | 590 |
| H (mm) | 2565 | 2660 | 3160 |

DIMENSIONS

ZRS 800/1000/1500

4/2011



5 Xinjie Rd XinQiao Township Ind. Park, Songjiang Shanghai,
Zip: 201612, China
PHONE: +86 21 57645573 FAX: +86 21 57646766
E-MAIL: INFO@ZERMA.COM

ZERMA MACHINERY & RECYCLING TECHNOLOGY CO. LTD.
SHANGHAI CHINA

WWW.ZERMA.COM