

ZERMA

THE HOME OF SIZE REDUCTION

Shredders // Granulators // Pulverizers // Accessories

ZBS // ZIS // ZSS // ZRS // **ZTS/ZTTS** // ZWS // ZXS

ZTS/ZTTS

SHREDDER FOR CAR TYRES



The ZERMA tyre shredders use special highly wear resistant tungsten carbide flat knives, these knives ensure a long lifetime working with abrasive and contaminated materials.



The ZTS and ZTTS shredders are equipped with a large diameter flat rotors with weld on hard facing. The knives are fixed in special knife holders fitted in machined pockets.



The oversized gearbox driving the rotor is supported by a very sturdy torque arm cushioning the shocks created while grinding.

GENERAL DESCRIPTION

The ZTS and ZTTS single shaft shredders are specially designed for the processing of complete or pre-shred tyres. Both machines feature a 750 mm diameter rotor with width options 1500mm to 3000 mm with oversized outboard bearings and twin gear drives. The tangential infeed ensures optimal feeding of the input materials while eliminating the need for a hydraulic feeding system. All tyre shredders are equipped with a complete wear package including rotor hard facing plus special knives and wear plates made from highly wear resistant steel. The ZTS and ZTTS ranges differ in the number of stator knives and the screen sizes used. The modular design makes it easy to integrate either machine into existing installations.

APPLICATIONS

The ZTS with its single row of stator knives is used to pre-shred complete car tyres or large pieces of pre-reduced truck tyres down to a size of approx 150 mm. The twin rows of stator knives and screen in the ZTTS enable it to process the tyre shreds down to any required size > 20 mm. The unique machine design combined with the variable cutting gap create an optimal separation of rubber and steel fractions when the machine is used with 20 mm screen. Therefore steel can be removed easily in the following process with magnetic separation equipment. The machines are also used in the processing of RDF and other alternative fuel applications.

ADVANTAGES

- **Single large diameter rotor (750 mm)**
- **Proprietary knife design and material**
- **Variable knife gap to improve separation of steel and rubber**
- **Compact Heavy Duty design**
- **High throughput rates**
- **Fast and easy tool change and maintenance**

ENGLISH

PLASTIC SIZE REDUCTION
RUBBER SIZE REDUCTION
WOOD SIZE REDUCTION
E-WASTE SIZE REDUCTION



ZERMA

ZTS/ZTTS SHREDDER FOR CAR TYRES



ZERMA. THE
HOME OF SIZE
REDUCTION



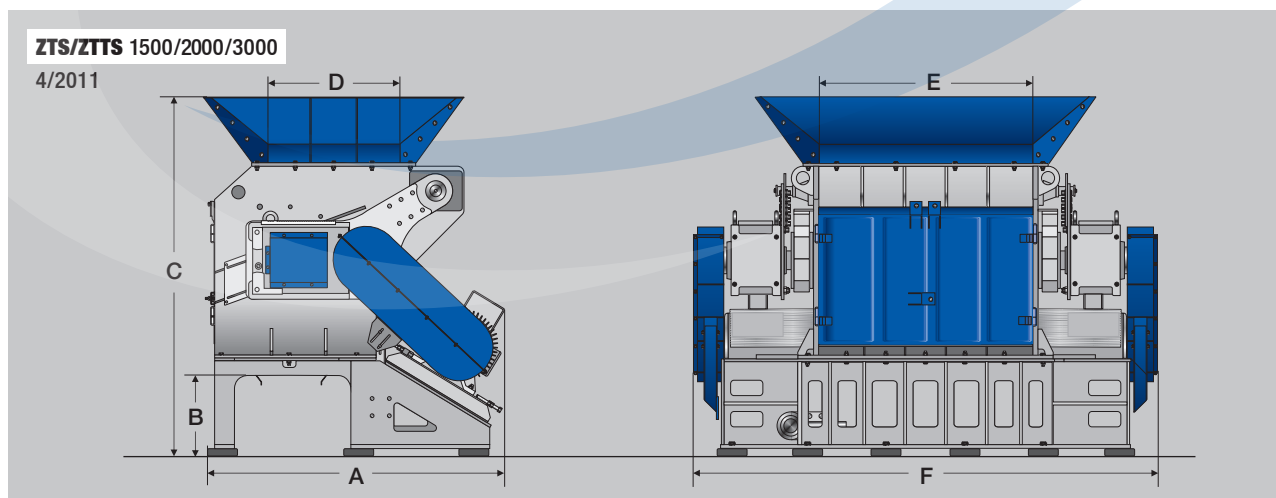
RUBBER
SIZE
REDUCTION

E-WASTE
SIZE
REDUCTION

SPECIFICATIONS

Type ZTS/ZTTS	1500	2000	3000
Rotor diameter (mm)	760	760	760
Rotor width (mm)	1500	2000	3000
Rotor speed (rpm)	45	45	45
Drive capacity (kW)	2 x 90	2 x 110	on request
Rotor knives (pcs)	76	96	136
Stator blades (rows)	1 or 2	1 or 2	1 or 2
Screen size (mm) ZTS	80mm screen bars	80mm screen bars	80mm screen bars
ZTTS	>16	>16	>16
Effective working area (mm)	1005 x 1620	1005 x 2020	1005 x 2820
A (mm)	2245	2270	2300
B (mm)	605	605	605
C (mm)	2700	2700	2700
D (mm)	1000	1000	1000
E (mm)	1620	2020	2820
F (mm)	3525	4105	4955

DIMENSIONS



5 Xinjie Rd XinQiao Township Ind. Park, Songjiang Shanghai,
Zip: 201612, China
PHONE : +86 21 57645573 FAX : +86 21 57646766
E-MAIL : INFO@ZERMA.COM

ZERMA MACHINERY & RECYCLING TECHNOLOGY CO. LTD.
SHANGHAI CHINA

WWW.ZERMA.COM