

ZERMA

THE HOME OF SIZE REDUCTION

Shredders // **Granulators** // Pulverizers // Accessories

GSL // GSE // GSC // GSH // GSP // **ZHM**

ZHM

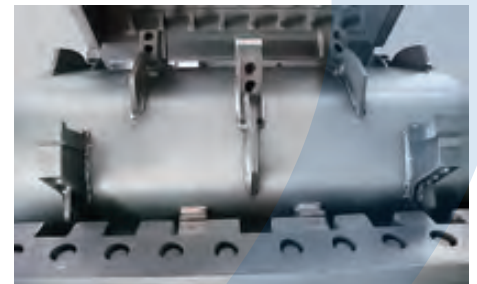
HAMMER MILL FOR ABRASIVE MATERIALS



The single piece tools used in the ZHM hammer mill are made from highly wear resistant steel, this increases their lifetime during heavy applications and makes changes quick and easy.



The ZHM hammer mill features a flat rotor with innovative welded tool holders. This heavy duty rotor design ensures a smooth operation on various materials.



The combination of pre breakers and counter knives create a high impact powers resulting in a high degree of disintegration and high throughput rates.

GENERAL DESCRIPTION

The ZHM series of hammer mills feature heavy duty rotors ranging from 600mm to 800 mm diameter and widths between 800mm and 1200 mm and with V-belt drive. The fixed rotor hammers acting against heavy duty fixed combs plus several rows of pre-breaker combs create high impact powers and hence high throughput rates. Tool changes are fast and easy. All tools and wear parts are manufactured from highly wear resistant steel. The housing inherits all the advantages of the proven GSH granulator design, such as the diagonally divided cutting chamber and hydraulic screen cradle for easy maintenance and servicing. Choice of screen sizes allows for a wide range of applications and degrees of disintegration.

APPLICATIONS

Traditionally hammer mills were used in the wood industry to generate sawdust, but also proved useful in other industries as a size reduction solution for brittle materials such as glass, glass fibre, thermosets (Bakelite etc) and more recently on plastics such as PVC, for example for the size reduction and separation of post consumer window profiles from their metallic reinforcement and fittings. The current main application of the ZERMA ZHM is the processing of electronic waste, such as whole computers, white goods and ICBs. The main advantage of the ZHM in such processes lies in its tolerance of contamination and abrasive materials while being able to achieve relatively small sized output material thus allowing for efficient separation in downstream processes.

ADVANTAGES

- **Suitable for highly contaminated or abrasive materials**
- **Fixed hammer style**
- **Heavy Duty design**
- **High throughput rates**
- **Easy tool change and maintenance**
- **Good disintegration of mixed input materials**

ENGLISH

PLASTIC SIZE REDUCTION
RUBBER SIZE REDUCTION
WOOD SIZE REDUCTION
E-WASTE SIZE REDUCTION



ZERMA

ZHM HAMMER MILL FOR ABRASIVE MATERIALS



ZERMA. THE
HOME OF SIZE
REDUCTION



PLASTIC
SIZE
REDUCTION

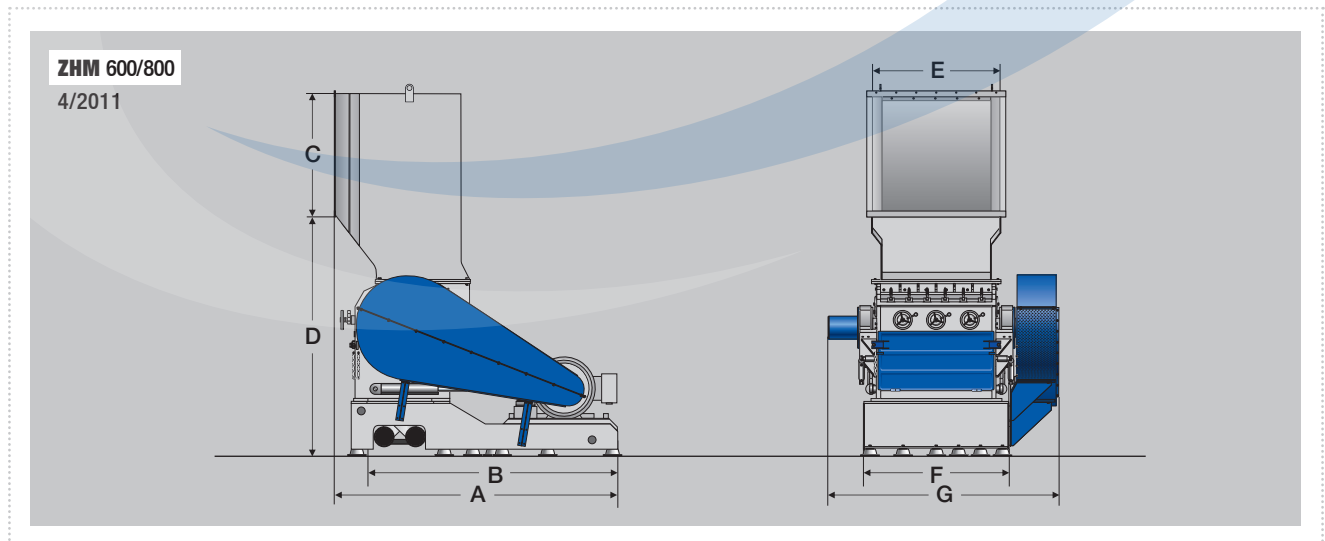
WOOD
SIZE
REDUCTION

E-WASTE
SIZE
REDUCTION

SPECIFICATIONS

Type ZHM	600/800	800/1200
Rotor diameter (mm)	600	800
Rotor width (mm)	800	1200
Drive capacity (kW)	75	132
Rotor tools (rows)	18	18
Stator blades (rows)	2	2
Screen size (mm)	>6	>8
Effective working area (mm)	788 x 555	1150 x 740
A (mm)	2350	3025
B (mm)	2100	2800
C (mm)	1000	1200
D (mm)	1940	2570
E (mm)	788	1140
F (mm)	1125	1535
G (mm)	1840	2430

DIMENSIONS



5 Xinjie Rd XinQiao Township Ind. Park, Songjiang Shanghai,
Zip: 201612, China
PHONE: +86 21 57645573 FAX: +86 21 57646766
E-MAIL: INFO@ZERMA.COM

ZERMA MACHINERY & RECYCLING TECHNOLOGY CO. LTD.
SHANGHAI CHINA

WWW.ZERMA.COM

Subject to technical modification